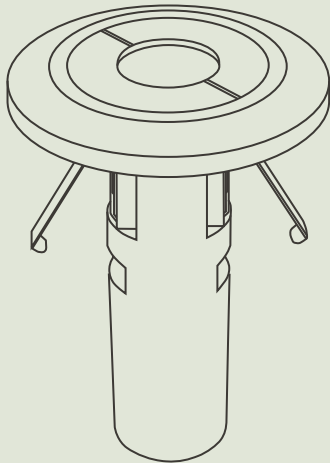


# CAMO CURTAIN

## TECHNICAL INFORMATION MINIATURE CURTAIN PIR



### FEATURES:

- Provides inconspicuous detection for corridors, passageways and storage rooms
- Suitable for intrusion, CCTV activation, access control and similar systems
- Fast and easy flush-mount installation with 22 mm drill
- Superior immunity to false alarms
- Adapter plate removable for reduced physical profile.
- Easy snap-fit installation
- NC contacts.

**2** YEAR  
WARRANTY

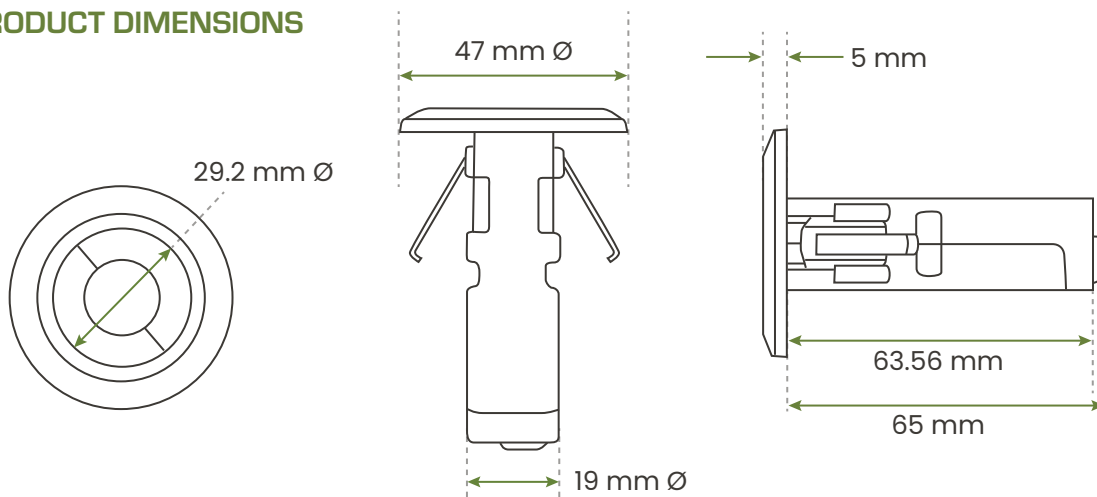
### APPLICATION

High performance with an inconspicuous installation, this product is able to be ceiling or wall mounted allowing you to seamlessly integrate it into a number of applications within any security system. Utilised for presence detection, intrusion and/or access control or relay inputs/outputs, the CAMO sensor is virtually unnoticeable.

### TECHNICAL PARAMETERS

**Operating voltage:** DC 12-24V  $\pm 10\%$   
**Operating current:** 12mA (DC 12V power)  
**Standby current:** 6mA (DC 12V power)  
**Operating temperature:**  $-20^{\circ}\text{C} \sim +60^{\circ}\text{C}$   
**Max detection range:** 2.8 M x 1.0 M  
**Min detection movement speed:** 0.1 M/S  
**Max installation height:** 3.5 M  
**Dimensions:** 70 mm(L), 47 mm  $\varnothing$

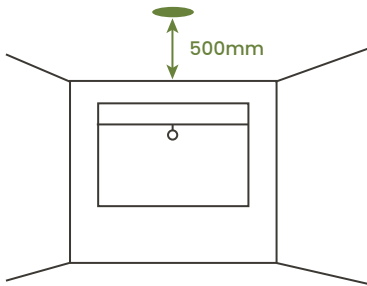
### PRODUCT DIMENSIONS



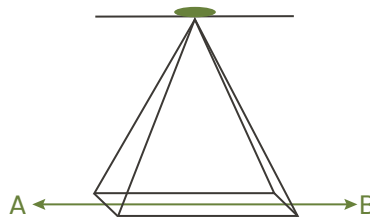
## PLACEMENT AND ALIGNMENT

For best results, mount at a minimum of 500mm in from any glass wall.

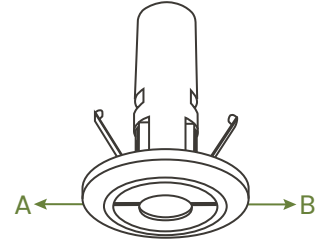
The A-B axis aligns with the grooves on the face of the PIR.



PLACEMENT



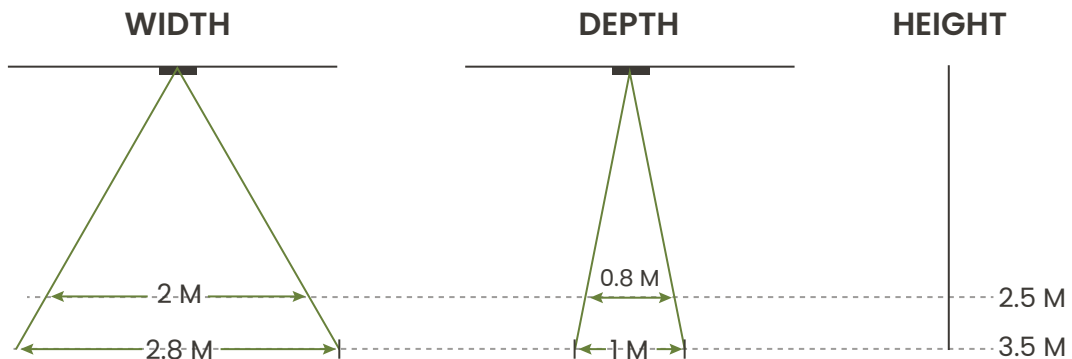
DETECTION AREA AXIS



GROOVE ALIGNMENT

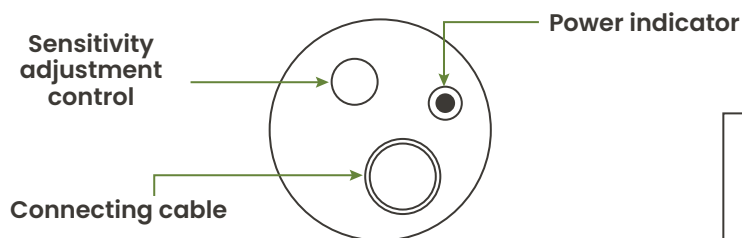
## DETECTION RANGE

The detection range varies with the sensitivity adjustment.



## POWER INDICATION, ADJUSTMENTS AND WIRING DIAGRAM

### REAR VIEW



NOTE: Turn clockwise to increase sensitivity, turn counterclockwise to decrease sensitivity.

### WIRING

RED	—●	} +DC
BLACK	—●	
GREEN	—●	} -DC
WHITE	—●	
	—●	} COM
	—●	
	—●	} NC
	—●	